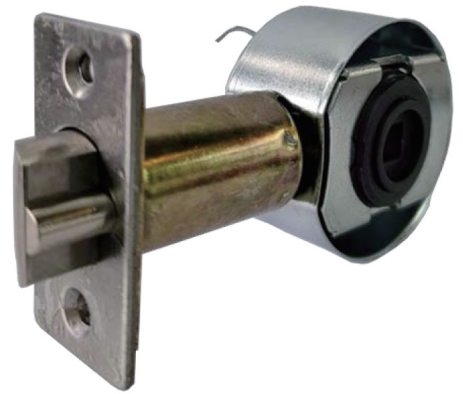


4100

Cartridge Cylindrical Latch

Description

- The user can replace existing traditional cylindrical knob/lever set.
- It can fit an ANSI grade 1 access control solution.
- Good for new or retrofit construction.



GRADE 1



Underwriters
Laboratories Inc.®



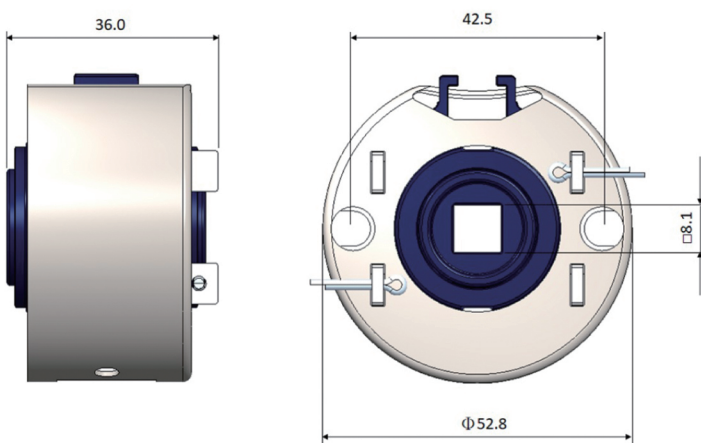
Mechanical Requirement

- Bore hole on the door 54mm(2-1/8")
- Door thickness ≥ 35 mm
- Use a T strike.
- Use 8mm square spindle.
- Handle turning angle $\leq 55^\circ$

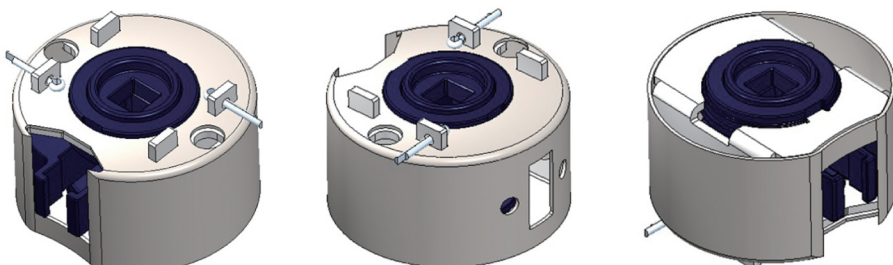
Standards

- Meet ANSI A156.2 standard.

Dimensions



Top/Side Views



4200

Cylindrical Latch Smart Door Lock

Description

- With 4200 motorized cartridge latch, you can upgrade existing traditional knob sets with a state of art access control reader.
- Lockset is normally secure.
- Inside lever always allows free egress.

Specification

Card capatibility	Mifare 13.56MHz/ISO 14443A
Capacity	200 users (user codes & cards)
Door thickness	35 to 51 mm
Backset	36 or 70 mm
Power Supply	3V
Working Temperature	-20°C to 70°C (-4°F to 158°F)

